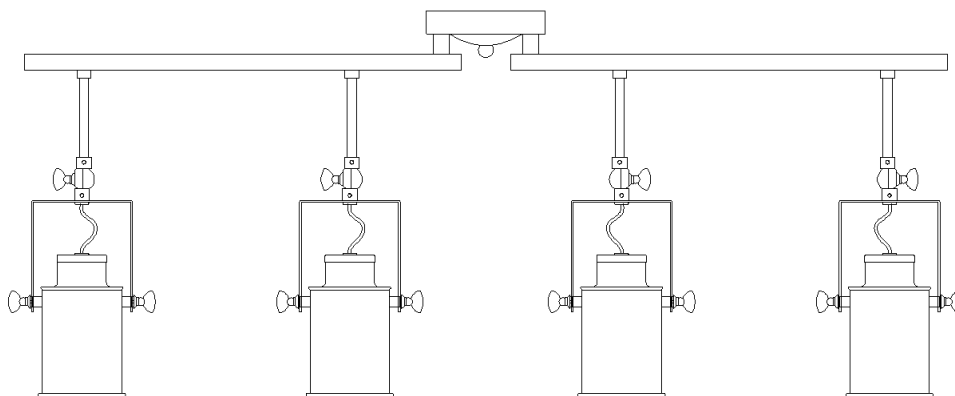


Item Number: A03188

WARNING (To reduce the risk of fire, electric shock, or injury to persons):






1. We suggest installation by a **licensed electrician**.
2. Please read the instruction carefully and save it as you may need it at later time.
3. Before you start, **NEVER** attempt any work without shutting off the electricity until the work is done. A). Go to the main fuse, or circuit breaker, box in your home. Place the main power switch in the **"OFF"** position. B). Place the wall switch in the **"OFF"** position.
4. Mounting surface should be clean, dry, flat, strong enough and 1/4" larger than the canopy on all side. Any gaps between the mounting surface and canopy exceeding 3/16" should be corrected as required.
5. Make sure that the ceiling or wall can stand the weight of the lamp before fixture.
6. Make sure the voltage you are using is **120V**. The maximum wattage is **60W** per bulb.
7. Keep the lamp away from acidic and basic objects in case of damaging the surface of the lamp.
8. When replacing bulb, you should turn off or unplug the lamp and you must wait until it is cool as bulbs get hot quickly.
9. The safety instructions appearing in this manual are not meant to cover all possible conditions that may occur. It must be understood that common sense, caution and care must be used with any electrical products.

IMAGE FOR FINISHED PRODUCT:



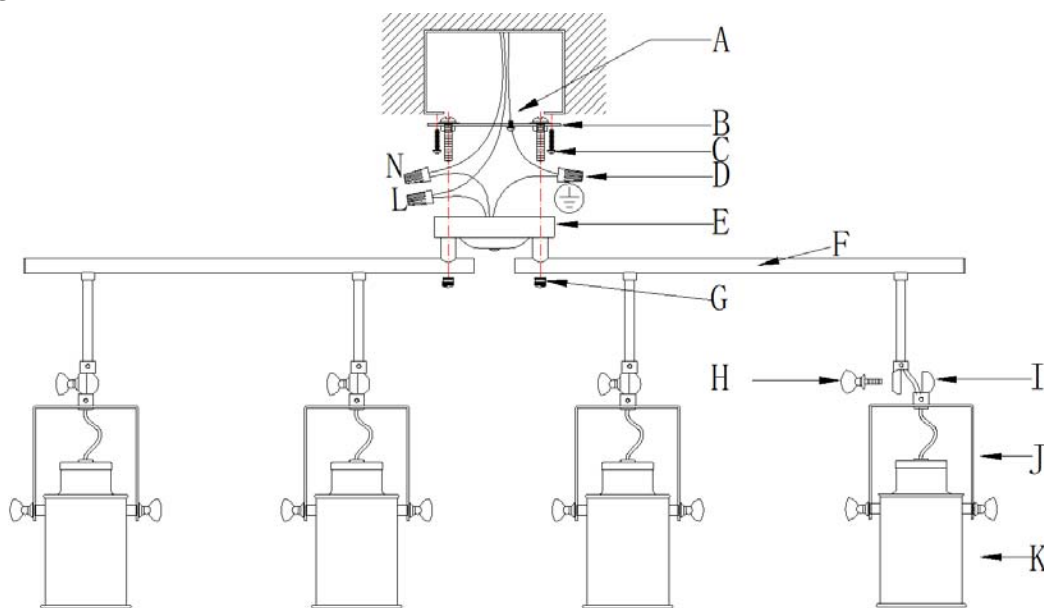
TOOLS REQUIRED (NOT INCLUDED):

Before doing assembly and installation please prepare the needed tools as below picture

				
Ladder	Phillips head, flat blade screwdriver	Electrical tape	Pliers	Wire cutter/Stripper

PARTS TYPE & QTY INCLUDING:

- (A) Green ground screw (1)
- (B) Mounting plate (1)
- (E) Canopy (1)
- (F) Stem (2)
- (G) Threaded ball (2)
- (H) Stud (12)
- (I) Connector (4)
- (J) Bracket (8)
- (K) Metal shade (4)

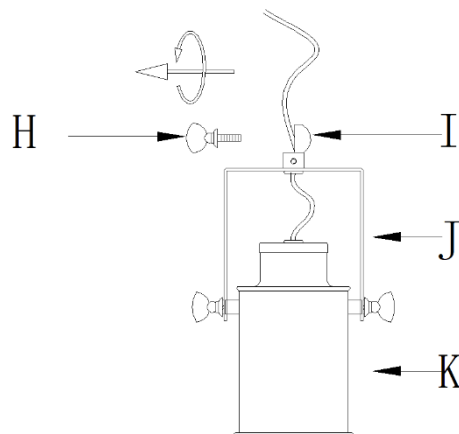


ACCESSORIES & QTY ENCLOSED:

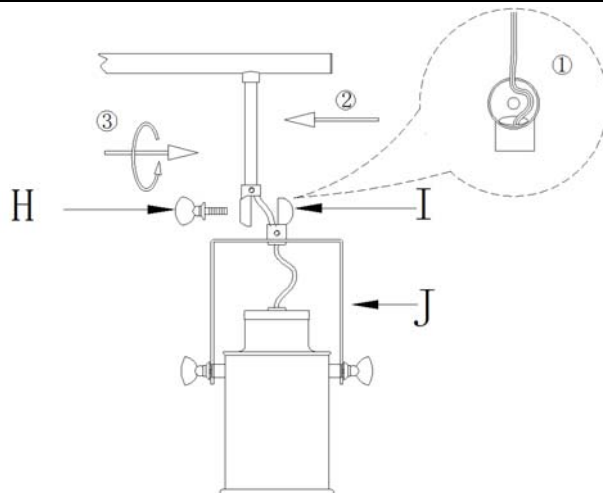
- (C) Mounting screw (2)
- (D) Plastic Wire Connectors (3)

ASSEMBLY & INSTALLATION INSTRUCTIONS:

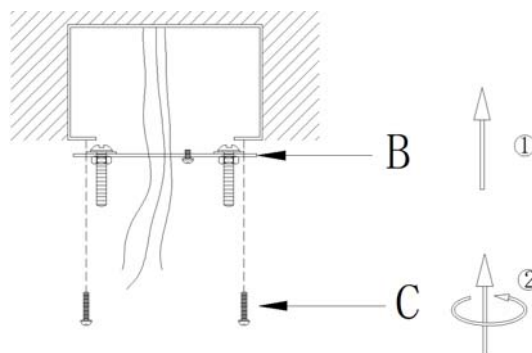
1. Carefully remove the fixture from the carton and check that all parts and accessories are included as shown in the above figure
2. **Turn off power**
3. Unscrew stud(H) from one side of connector(I)
4. Gently pull the wire through bracket(J) until snug



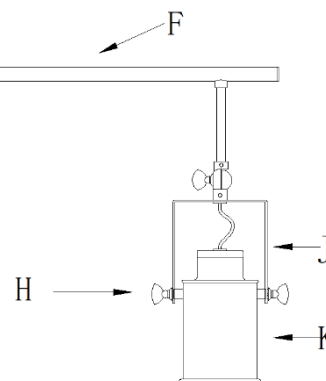
5. Place wires carefully inside connector(I).
6. Align holes in two sides of connector(I).
7. Thread stud (H) into holes in two sides of connector(I).
Tighten stud(H) to joint them together



8. Attach mounting plate (B) to outlet box by mounting screw(C) .
the side of mounting plate marked "GND" must face out



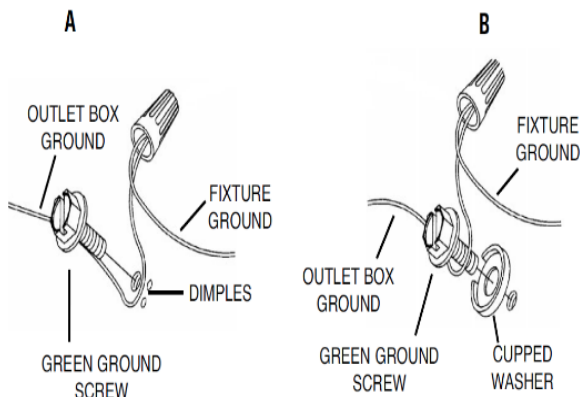
9. Adjust the stems(F) to their proper position
Adjust metal shade (K) to your desired position through unscrewing the stud(H) on bracket(J). Then tighten the stud(H).



10. Make the wire connections
Twist connector until wires are tightly joined together, carefully stuff all wires into the outlet box.

IMPORTANT NOTE:

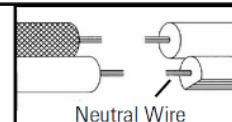
Connect ground wire according to below chart



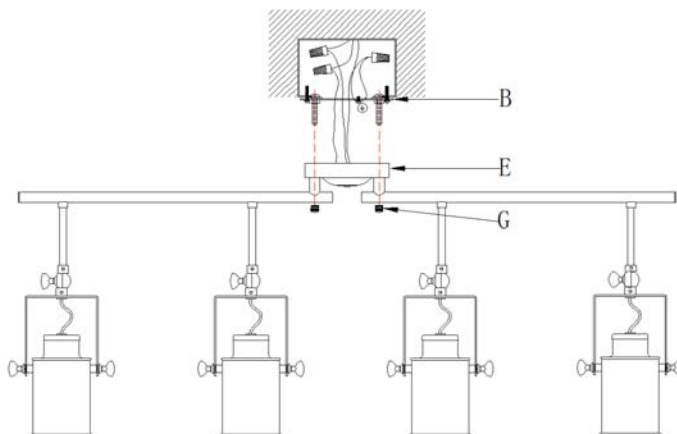
Connect wires according to below chart

Connect Black or Red Supply Wire to:	Connect White Supply Wire to:
Black	White
*Parallel cord (round & smooth)	*Parallel cord (square & ridged)
Clear, Brown, Gold or Black without tracer	Clear, Brown, Gold or Black with tracer
Insulated wire (other than green) with copper conductor	Insulated wire (other than green) with silver conductor

*Note: When parallel wires (SPT I & SPT II) are used. The neutral wire is square shaped or ridged and the other wire will be round in shape or smooth (see illus.)



11. Raise canopy (E) to ceiling and secure canopy (E) in place by tightening threaded ball (G) onto mounting screw (C)
12. Install bulb (not included)



13. Check everything is already installed properly, then you could turn on the light.

CLEANING

To clean, wipe fixture with a soft cloth. Do not use abrasive materials such as scouring pads or powders, steel wool or abrasive paper.

ORDERING PARTS

Keep this sheet for future reference, and in case you need to order replacement parts. All parts for this fixture can be ordered from place of purchase. Be sure to use exact wording from illustration when ordering parts.